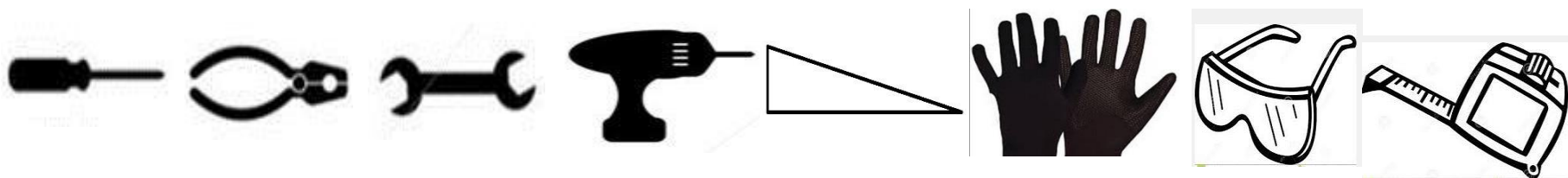


# Fort Doors Framed Canopy Fitting Instructions V5.1

- Before you start !!
- **Measure**
- Check measure the opening against the door you are about to install , remember you cannot trim down a steel frame and so you are looking for an opening that is bigger than the door and frame size , also check the opening is square . Check the space required inside the garage that the door will not be impeded by anything in the garage when it is open .
- **Warning !** garage doors are under extreme pressure from the spring system and a poorly installed frame could lead to serious injury if the door comes loose or falls in any way .
- **Tools Required**



## •Pack Contents

- 1 x Fitting pack containing –
- 6 Angled fixing brackets
- 12 x 50mm coach screws hex head
- 12 x Self drilling Tech screws 8mm
- 12 x M8 Washers
- 3 Keys
- 1 Door
- 1 Handle Pack

## Handy info !

This door is CE marked and comes with a Europe wide 2 year warranty , limitations apply visit [www.fortdoors.co.uk](http://www.fortdoors.co.uk) and view full terms .

Caution ! Garage doors are heavy and this item must be installed by 2 persons .

Do Not allow children to assist in the installation, adjustment or operation of this door . Garage doors can inflict severe injury if not used correctly .

Always ensure this door is correctly adjusted and serviced as failure to do so may invalidate the warranty .

Wear adequate protection when installing .

**Warning** - Until all parts of the installation are finished there's a possibility of being **locked out** , always ensure someone is inside until you have checked the operation of the locking and adjusted as required.

**Installation .**

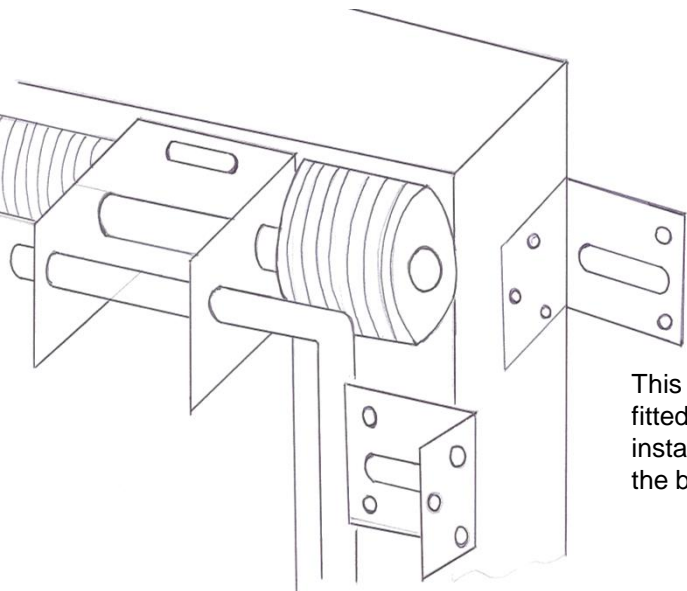
Offer the door up to the opening and mark the brackets on the frame with a pencil , remove unit .

**Fit the Angled brackets .**

There's no fixed way of fitting brackets to the frame , they should be fitted to obtain the strongest fixing to the frame / wall and you should asses this on site always use tech screws provided to fix to the frame and the coach screws into the wall (No wall plugs are supplied ) .

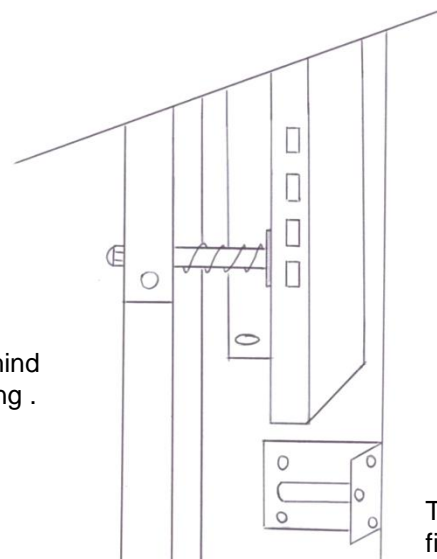
Ensure that you use 3 brackets per side , one at the top middle and bottom , non are required across the head of the frame . Fix using 2 x self tapping tech screws per bracket .

Below are 3 examples of how brackets might be fitted .

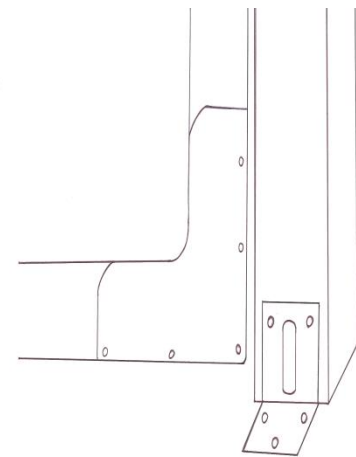


This bracket is fitted for an installation behind the brick opening .

This bracket is fitted for an installation between the brick opening position .



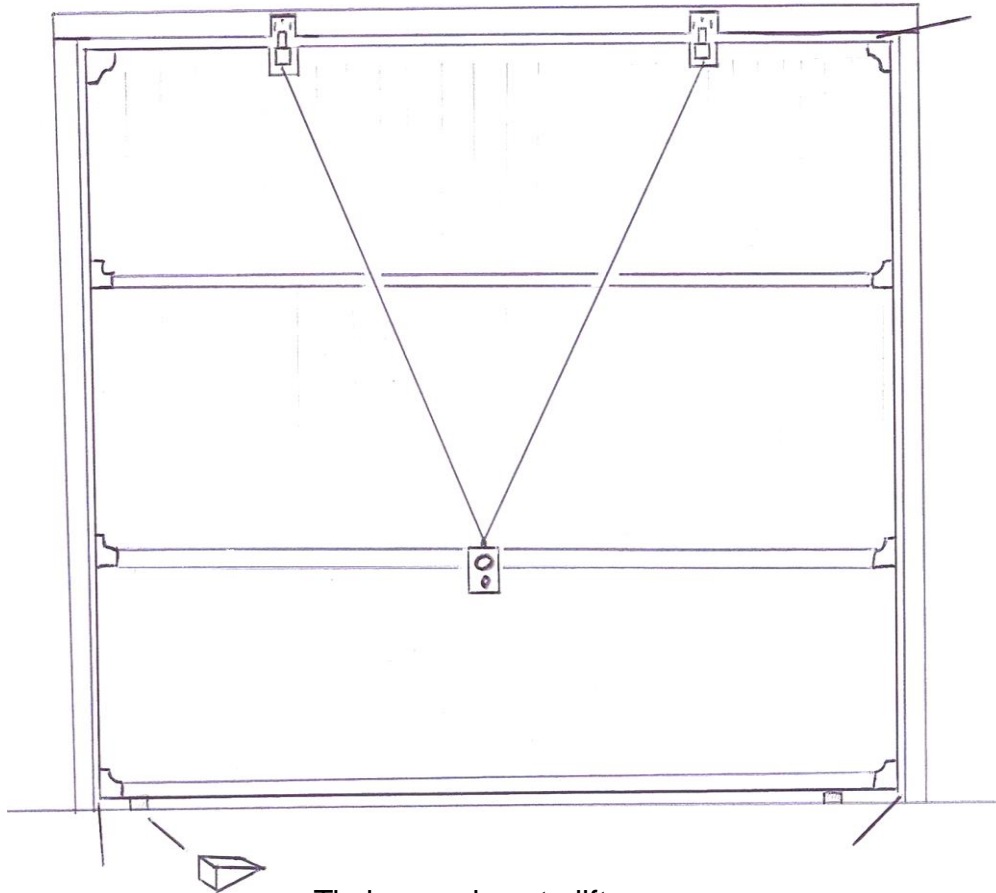
The mid bracket is fitted just below the bottom of the side track



The bottom bracket is fitted at the base of the frame .

# Installation

Offer the door up to the opening (two persons required ) and wedge in to place , use a spirit level to ensure the overall satisfactory look of the installation and in particular the level of the frame head is correct .



Timber wedges to lift  
door into correct  
position

## Tip !

Its good to have someone outside for levelling the door , concentrate on the sides as this is the most obvious part if the installation is out of alignment . Ensure that when you stand back the door looks evenly spaced in the hole .

Try not to rush this part as its not easy to put right after you have fixed the screws in place.

Once you are happy you can drill the wall using a 10mm drill bit and secure the brackets using 2 x 50mm coach screws per bracket .

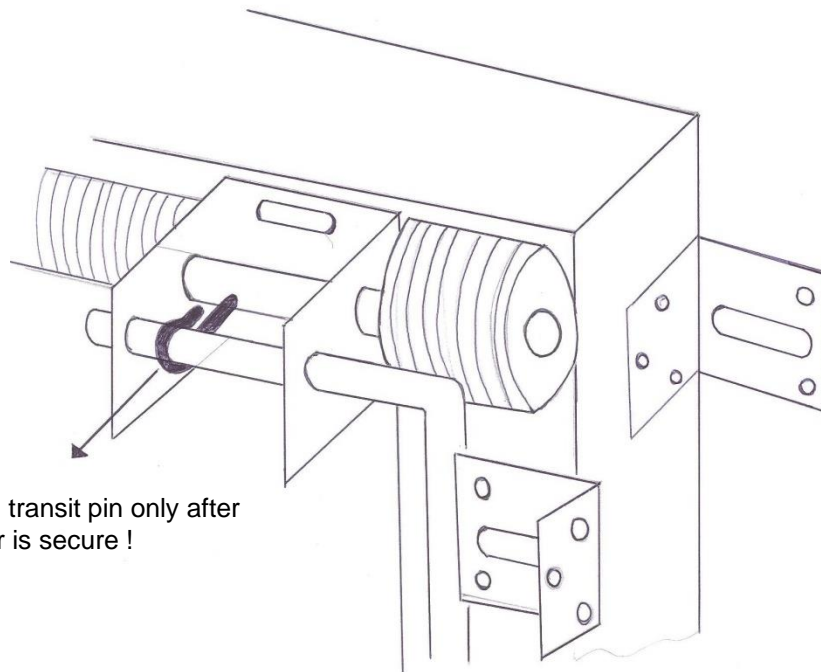
Caution ! Do not fit the door twisted as this will stop the door locking correctly .

Now check the following – the red and white drum at the end of the spring system do not foul the brickwork either side . The cables run from the back of the cones against the frame to the wheel assembly

Now the door frame is secured you should align the door in the frame , the side tracks have slotted holes in them , undo the phillips head screw half a turn , move the side tracks left or right so that the door is centralised ensure the black side seal (white steel on some doors) on the door can pass through the arms

### **Load the spring –**

Pull the pin as shown in the picture to load the spring tension from the transit position to working position .

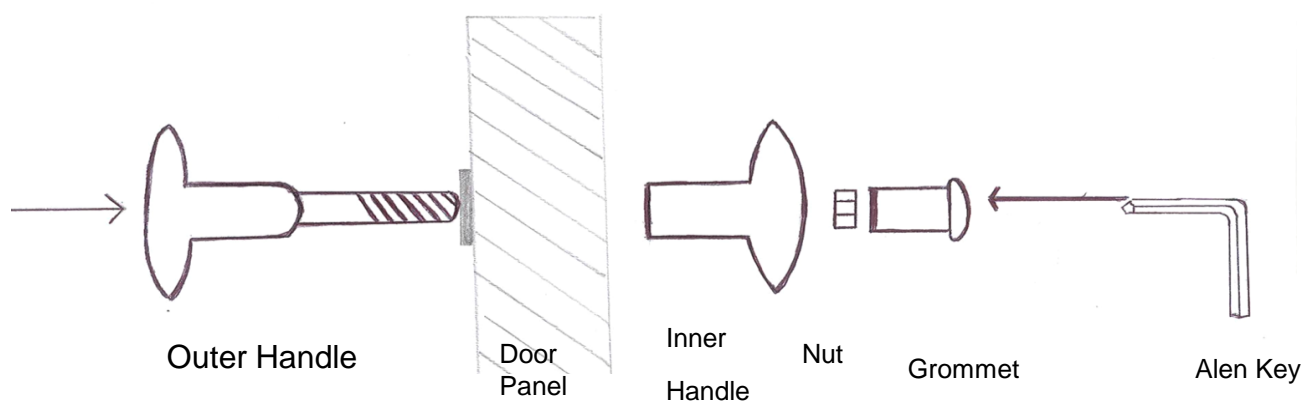


Pull this transit pin only after the door is secure !

### **Tip!**

Check the cables are in the groove furthest from the door and run down the back of the frame Check the door will pass the arms either side at the top .

When pulling the tension pin you may need to wiggle it to loosen . NEVER pull this pin unless the door is secured to the brick opening .



Fit the outer handle to the outside of the door , fit the inner lock and the moulded fixing using an Alan key and tighten (**Caution !!** only tighten enough to remove play from handle , over tightening can damage the outer panel )

Open the door fully and oil the side runners and the wheels / cables and top latches . If 4 point locking purchased see separate sheet and fit now .

**Caution !!** Check the locking works correctly from the **inside** by closing the door and opening again , do not do this from the outside as if adjustment is required you may not be able to open the door again .Although adjusted in the factory the cables can be disturbed during transport and it is the responsibility of the installer to correct the cables as required .Now oil the tracks / lock and latches and all moving parts – do not grease any part .

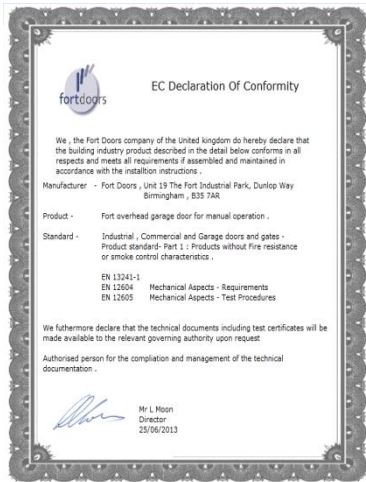
Adjustment – if the door is opening too slowly or too quickly increase the tension on the spring .Call 0121 749 7977 for advice .This element should only be performed by competent persons .

Finish the door frame with trim as required .

**Locking cables and lifting cables are subject to wear and tear and should be examined regularly , tangling of cables through poor maintenance / adjustment does not constitute as a manufacturing defect.**

**In a separate sheet you will find “spring tension adjustment instructions “ use these if the door falls under its own weight , the holes in the tracks either side are a safety device , only expect them to engage if you have a cable failure , they are designed to stop the door falling on your head !**

**Dismantling , replace the crook pin removed on page 5 , unwind all spring tension using bars , remove screws in reverse order and remove door .**



## Removal .

To remove the door you first must replace the spring tension holder shown on page 3 . Remove side track screws and slide out the tracks , undo the spring holder bracket screws x 4 and lift the entire spring spring assembly off the locking point/ spring holder and lower the spring to the mid point of the door . Ease the door out of the opening .

Every 3 months you must oil all pivot points with 3 in 1 oil , you must check tension of the door

(open the door and ensure it holds in place if it falls contact your dealer or the helpline for more advice )

Clean the paint finish and touch up any marks with the correct Ral colour stick available from your dealer .

Refer to the door label for more advice .

## Spring tension adjustments

1 Replace the pin to add or remove tension

2 The spring is held with 2 grub screws that are on the knuckle on the left hand side of the spring, there are also 4 holes in the knuckle for inserting suitable bars to adjust the tension a spanner can also be used. when the grub screws are undone the tension is released so the spring must be held with the bars or 1 bar and a spanner , the tension is increased by turning the spring knuckle toward the ceiling, decreased buy turning down ,the spring must be held with the bars at all times while the grub screws are loose to avoid the complete loss of tension.

3 Increase or decrease tension and tighten the grub screws with alan key , repeat until tension is correct , the pin must be removed to try the door tension ,make sure the cables are both in the correct grooves.

